

24 Ports Gigabit PoE Switch

802.3af/at、6KV Lightning Protection、Support PoE Management

Datasheet : VER2.0

UTP3-GSW2404-TSP420/UTP3-GSW2404-TSP200



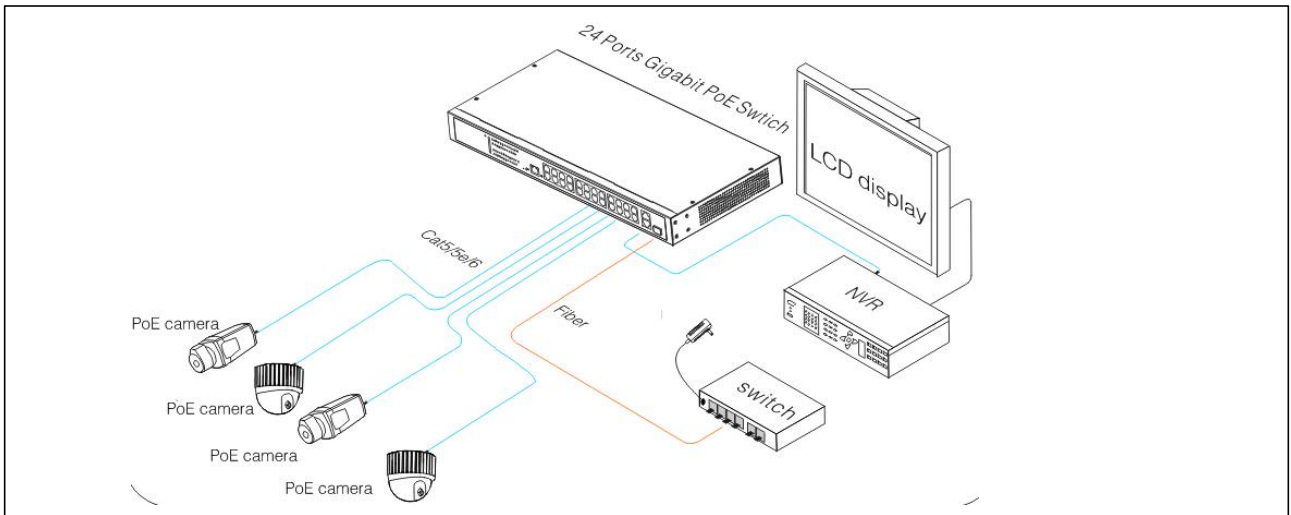
- Provide 24x 10/100/1000Mbps downlink PoE Ethernet ports, 2x gigabit uplink Ethernet ports and 2x gigabit Fiber port;
- Downlink Ethernet ports support PoE+, each port supports max. 30W output;
- Support power consumption indication(LED indicates power output status); support manage PoE on/off and power consumption setting via Web;
- Accord with IEEE802.3、IEEE802.3u、IEEE802.3ab、IEEE802.3 af/at standard;
- 8K MAC address,4Mb cache;
- Quick installation, easy operation, convenient for wall-mounted、desktop and rack installations.



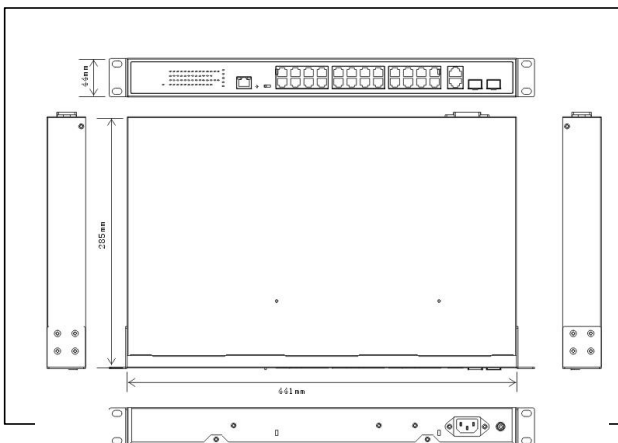
Introduction

The 24 ports Gigabit PoE switch is an Smart Managed PoE switch along with 24 * 10/100/1000Base-T downlink PoE ports and 2 * 1000Base-T uplink Ethernet ports featuring 30-watt 802.3at PoE+ as well as 2 additional Gigabit port. The total PoE power budget is up to 390 watts. It supports web-based PoE management and real-time PoE output LED display. The device can be widely used in video security monitoring systems, network projects, etc.

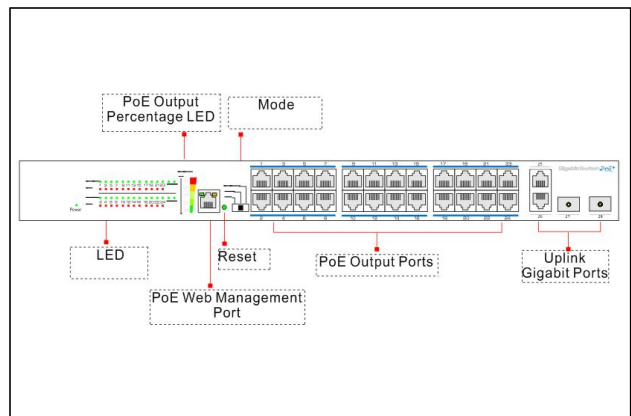
Application



Physical Features



Interface drawing



Specification

Model	UTP3-GSW2404-TSP420	UTP3-GSW2404-TSP200
Downstream Ports	24* 10/100/1000Base-T(24 Ports PoE)	24* 10/100/1000Base-T(16 Ports PoE)
Uplink Ports	2*10/100/1000Base-T and 2*1000Base-X(SFP)	
Network Standard	IEEE802.3、IEEE802.3u、IEEE802.3ab、IEEE802.3z、IEEE802.3X	
Switch Capacity	56Gbps	
Throughput	42Mpps	
Switch Processing Scheme	Store and Forward	
Memory Buffer	4M	
MAC Table	8K	
PoE Standard	802.3af/at(PSE)	
PoE Type	End-span	
Power Pin Assignment	1/2(+), 3/6(-)	
PoE Power Output	54V DC , 30 watts max	
PoE Budge	390 watts max	180 watts max
PoE Management	Via Web(Default IP Address 192.168.1.200) to check, on/off and adjust each port PoE output	
PoE Power Output Percent	5x LED(Including 3x Green, 1x Yellow, 1x Red), separately indicate 30%、60%、90%、95%~100%	
Operating mode	VLAN: 1. Downlink ports only communicate with uplink ports; 2. Restrain network storm under 2Mbps	
	Default:All ports can communicate with each other	
	Flow control:Switch flow control function is turned off, this mode is suitable for video surveillance transmission	
Lightning protection	6KV Execute : IEC61000-4-5	
ESD	6KV Contact discharge 8KV Air discharge Execute : IEC61000-4-2	
Power Supply	100~240V AC; 50/60Hz	
Power Dissipation	<420W(Including PoE)	<200W(Including PoE)
Work temperature	-10°C~45°C	
Storage temperature	-40°C~85°C	
Humidity(Non-condensin)	5%-95%	
Dimension (L×W×H)	442mm×285mm×44.5mm	
Weight	3kg	
Regulator	CE、FCC、ROHS	

Package List

Designation	Quantity
UTP1-SW24-TP420	1
AC Power Line	1
Mounting brackets	1
User Manual	1

Related Products

Designation	Model
8 Ports Gigabit PoE Switch	UTP3-GSW0802-TSP120
5 Ports Gigabit PoE Switch	UTP1-GSW0401-TP60